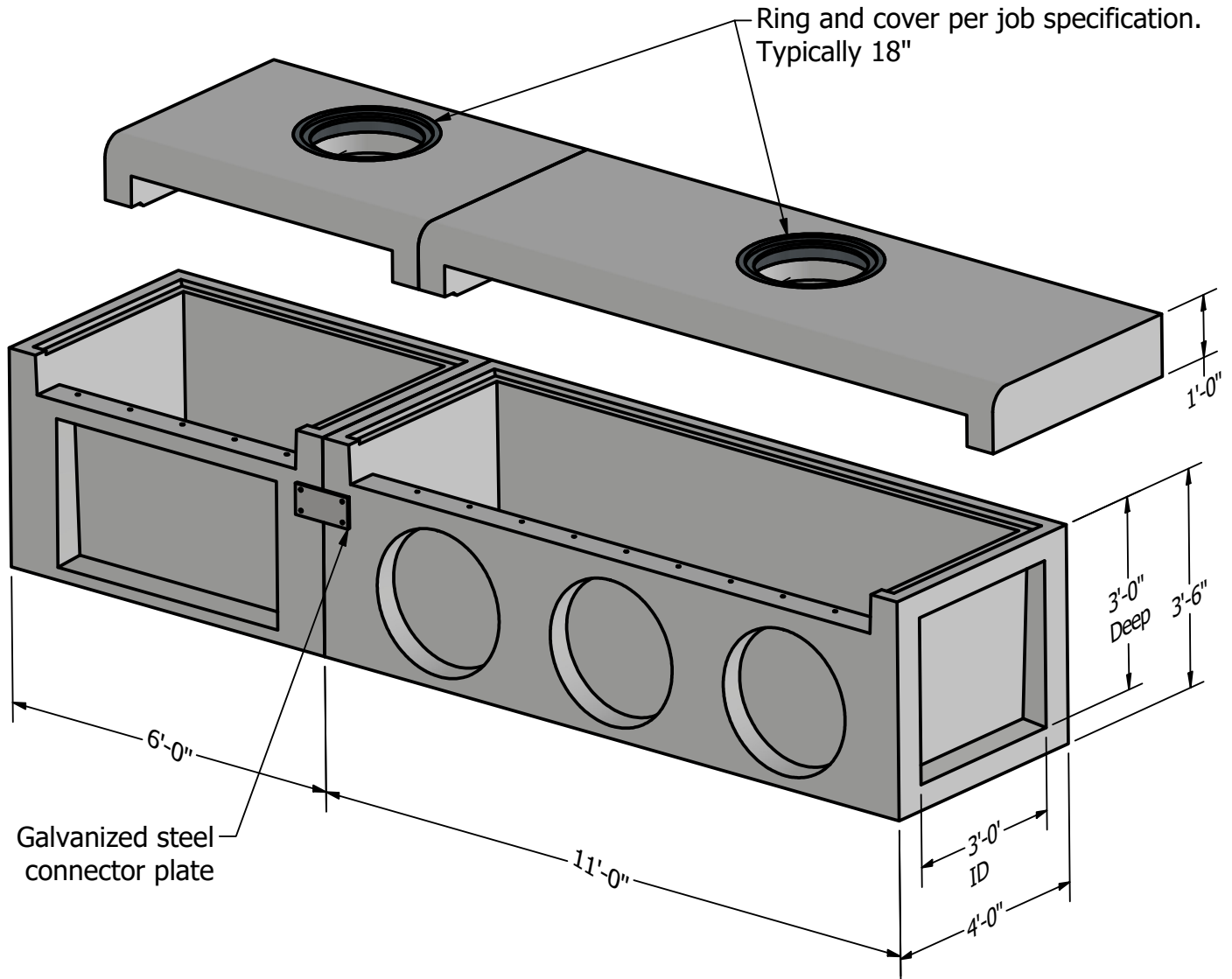


15' Curb Inlet with Variable Invert



Specifications

Total Weight: 18,400 lbs.

Largest Part Weight: 7,065

Concrete strength: 5,000 PSI

Reinforcement:

- ASTM A-615 grade 60
- ASTM A1064



Lone Star Precast
454 Kelly Smith Lane
Buda, Texas 78610
Ph: 512.312.2121



TITLE

3' x 3' x 15' Curb Inlet Base

PART NO

CIB-3154

DWG NO

CIB-3154-SS.idw

REV

DRAWN

RMD

1/27/2022

SCALE

1 / 30

Dimensions Unit: inch

SHEET 1 OF 1